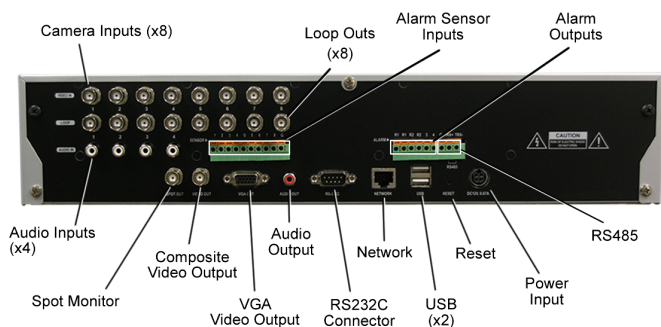


Orbix 8MX 8-Channel Standalone Security DVR

The advanced standalone Orbix MX series security DVRs incorporate an embedded operating system with on-screen display (OSD) menu, audio and alarm inputs, and H264 compression. It has a user selectable image capture rate and video resolution and can hold up to three internal disk drives (SATA interface). A built-in web server allows remote internet viewing using commonly available software.



General Specifications

Video Compression: H264
Video Input: 8 channels (BNC)
Live Display Speed: Real Time
Split Screen Options: 1, 4, 9, PIP, digital zoom
Output Resolution: 720x480 (NTSC), 720x576 (PAL)
Record speed/resolution
NTSC CIF: 120 ips (images per second)
NTSC 1/2 D1: 60 ips
NTSC D1: 30 ips
Playback Options: Multi-channel normal speed and reverse, RW & FF (at x2, x4, x8, x16, x32), frame-by-frame, pause
Record Quality Settings: 4 quality settings per camera
Recording Modes: Time lapse, event, time & event, panic
Alarm Inputs: 8 (TTL)
Alarm Outputs: 2 (TTL) & 2 (Relay)
Pre-Alarm Recording: 1 to 30 seconds (programmable)
Post-Alarm Recording: up to 1 minute (programmable)
Monitor Outputs: 1 composite (BNC), 1 VGA, spot monitor (BNC)
Audio Input/Output: 4 in, 1 out (RCA)
Triplex Operation: Standard feature
Search Modes: Calendar, event, go-to time, text-in
Network Connectivity: RJ45 Ethernet conn. 10/100/1000Mbps
Remote Operations: Live camera video, playback, record, setup system, PTZ, archiving
Serial Connectivity: RS485 (1), RS232 (1)
USB Ports: 1.1 (1 port), 2.0 (3 ports)
Storage: 3 SATA devices (3 HDD or 1 DVD/CD drive & 2 HDD)
Backup: External USB memory, USB HDD device, Clip Make, (optional internal CD or DVD R/W)
User Controls: mouse, front panel buttons or IR remote control

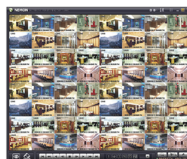
- H264 Video Compression
- Split screen option
- Network Remote Monitoring
- Orbix software Client Interface
- Real Time Live Display
- Pre-Post Alarm Recording
- Triplex Operation

Easy Hard Drive Management

S.M.A.R.T. options let you monitor HDD status and temperature, alerting you with an alarm if it needs attention

Storage options include permanent, auto-delete (based on days), or circular recording to recycle storage space as needed

FREE 64 Camera Channel Management System



Our free CMS software lets you manage remote connections, program your DVR for special surveillance tasks, and set up special features like pre-event recording.

FREE IR Remote Control



Usability has been enhanced with digital zoom, picture-in-picture capability (PIP), and freeze. An event pop-up function calls attention to the spot monitor when a pre-set event occurs, putting the monitor in full-screen mode with the picture of the relevant camera. Operating system upgrades, when available, can be downloaded to a standard USB flash drive and then uploaded to the DVR or PC at your convenience.

Point-of-sale (POS) functions allow you to connect to compatible cash registers, ATMs and similar devices. Record sales, drawer access and other functions with text and video. Search text at a later date to find specific transactions or receipts and see the video captured during the event.

Network Remote Monitoring & Playback: Yes
Network Remote Programming/Configuration: Yes
Network Remote System Check: Yes
Network Remote Backup: Yes
Network Remote Clip Maker: Yes
Network Time Synchronization Protocol: Yes
Remote Internet Monitoring & Search: Yes
Remote Internet Programming/Configuration: Yes
Key Lock: Yes
Programming/Setup Menu: On-screen display (OSD)
Firmware Upgrade: USB memory device or network
Dimensions: 16.9"(w) x 3.5"(h) x 16.9"(d) 430mm(w) x 88mm(h) x 428mm(d)